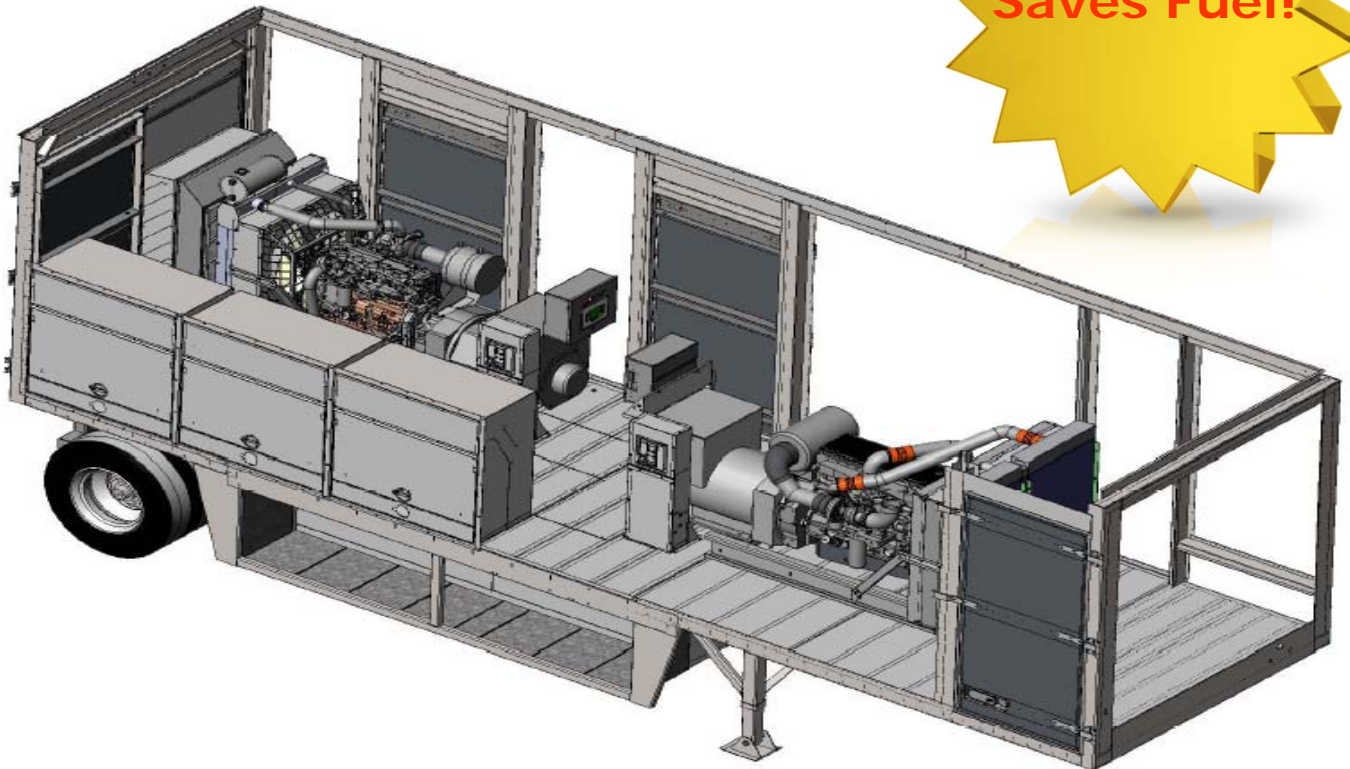


Twin Pup 28 Genset Package



Woodward control automatically parallels gensets.

Load dependant starting and stopping.

Provide the power you need *only* when needed.

Saves fuel during low power demands such as setup and tear down.

Provides for added distribution.

Electrical and engine monitoring from outside trailer.

QSX15 Tier 4F Cummins Engine – 500 KW Standby 460 KW Prime

QSG12 Tier 4F Cummins Engine – 320 KW Standby 300 KW Prime

QSB7 Tier 4FCummins Engine – 175 KW Standby 160 KW Prime