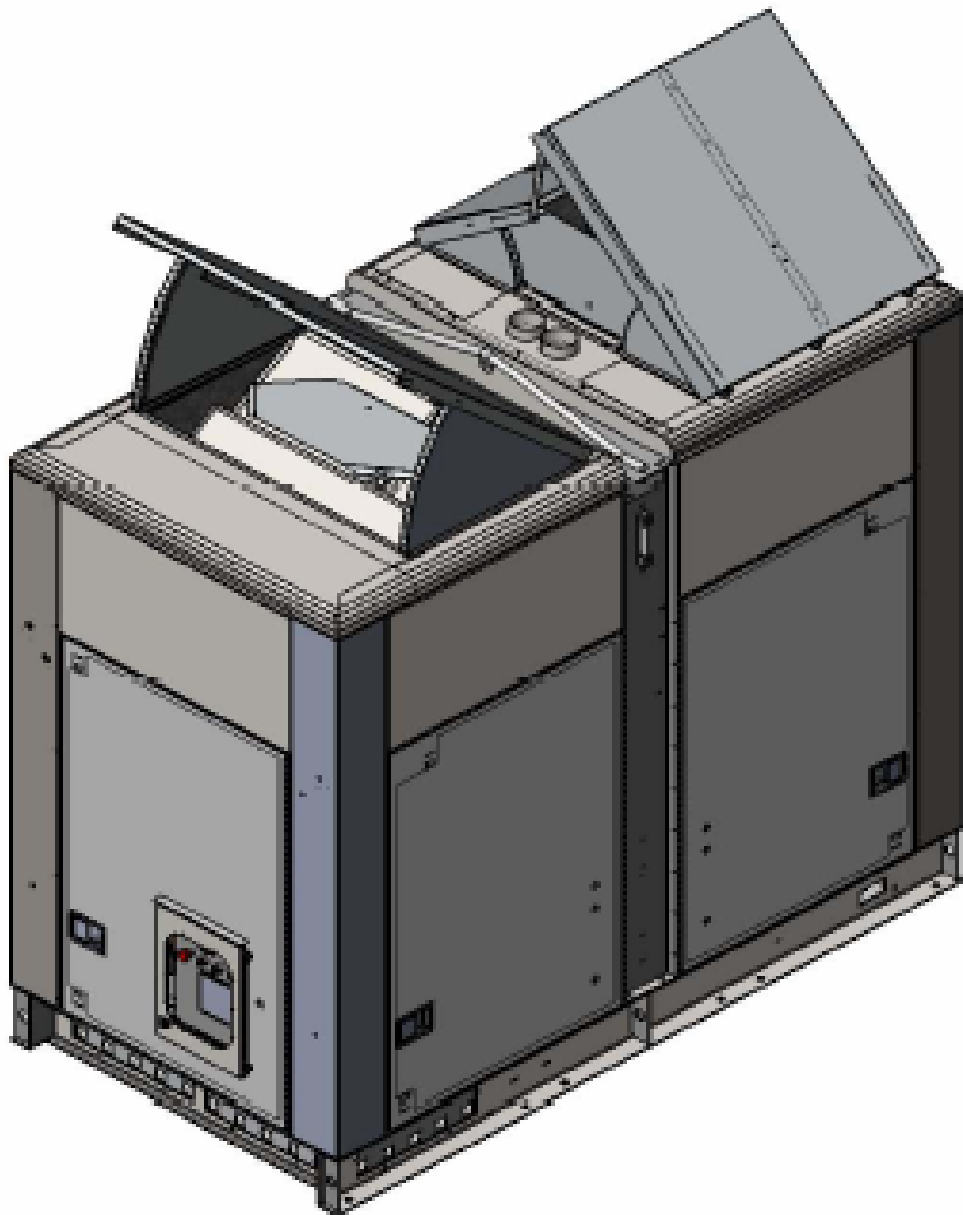
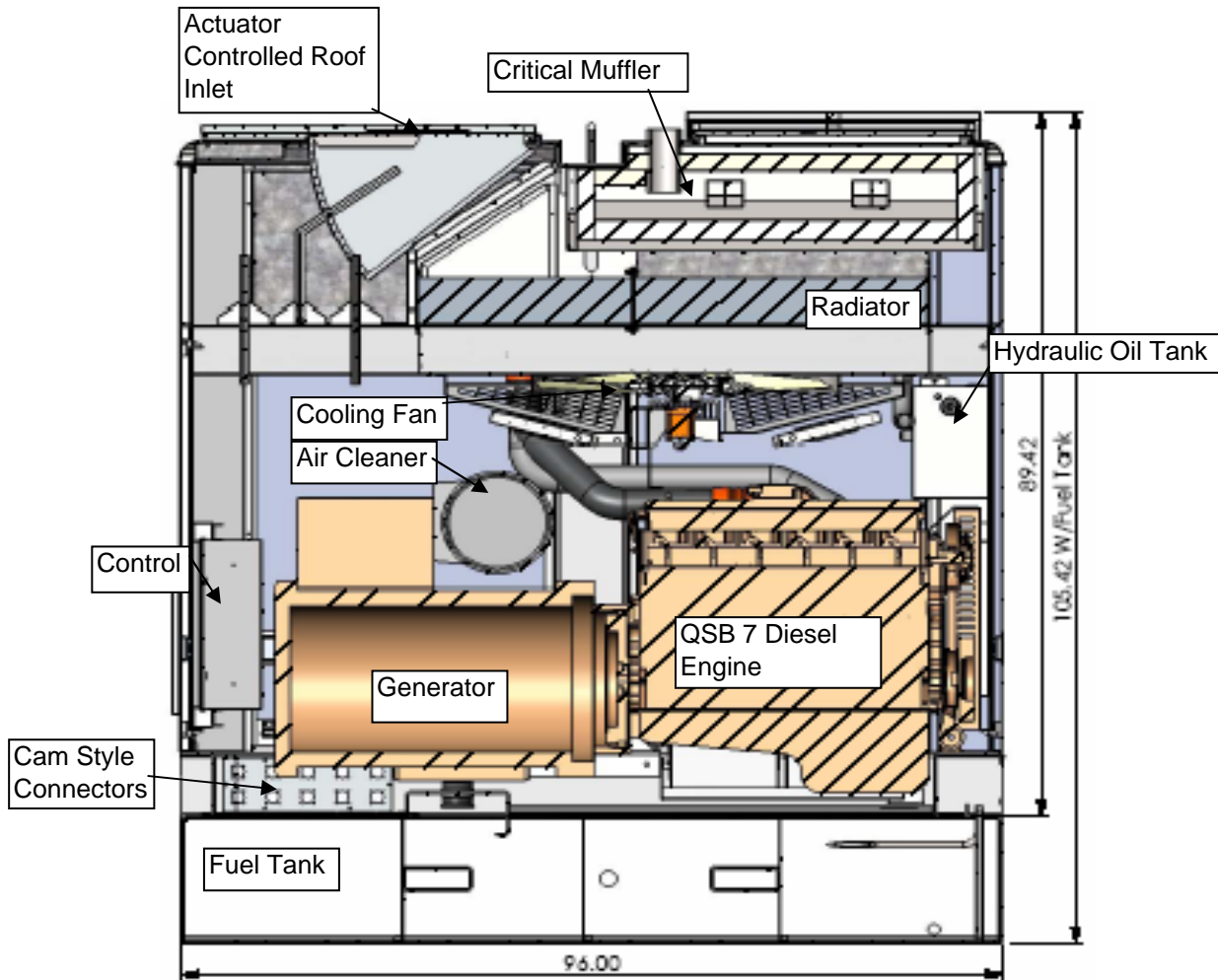


# Pack-Man 175 Kw Quiet Power

*New*



# Pack-Man Genset Cut-A-Way



## Specifications

QSB 6.7 Liter Cummins Diesel Engine with a Newage Alternator

Horizontal Radiator

Hydraulically driven fan motor controlled by a variable speed hydraulic control to decrease the hp required to cool engine when lightly loaded.

175 Kw Standby 160 Kw Prime

96 Inches Long 50 Inches Wide 89-1/2 Inches Tall

Wet Weight is 6,000 Pounds